

**MARTELLI DI STERRATURA
DE-CORING HAMMERS
RÜTTLERHÄMMER
MARTILLOS PARA DESARENADO**

MODELLI - Models - Ausführungen - Modelos

S-L 2000 RVC 70 RVC 70-MBR RVC 70-MBL



ATTACCO DESTRO

Inverted model
Umgekehrte Ausführung
Modelo inverso

VERSIONE AIR

“Air” model
“Air” Ausführung
Modelo “Air”

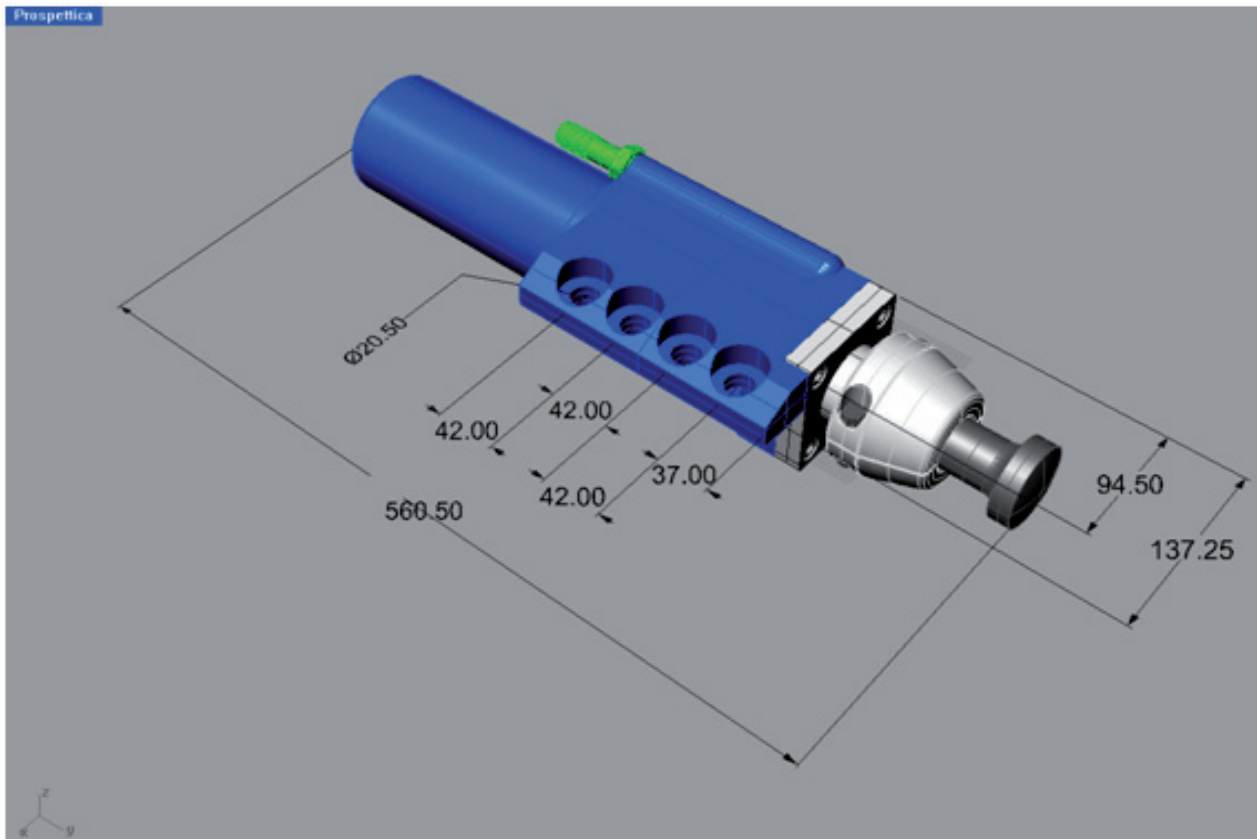
PRESSIONE ARIA (bar)

Air pressure (bar)
Luftdruck (bar)
Presión aire

•	•	•	•
•	•	•	•

4 bar	FREQUENZA Rate Frequenz Frecuencia	1050 c/min 17,5 Hz	1070 c/min 18,4 Hz	1230 c/min 20,5 Hz	1140 c/min 19 Hz
5 bar	FREQUENZA Rate Frequenz Frecuencia	1105 c/min 18,4 Hz	1140 c/min 19,0 Hz	1380 c/min 23 Hz	1230 c/min 20,5 Hz
6 bar	FREQUENZA Rate Frequenz Frecuencia	1200 c/min 20,0 Hz	1230 c/min 20,5 Hz	1500 c/min 25 Hz	1290 c/min 21,5 Hz
4 bar	CONSUMO ARIA Air Consumption Luftverbrauch Consumo aire	760 l/min	840 l/min	814 l/min	846 l/min
5 bar	CONSUMO ARIA Air Consumption Luftverbrauch Consumo aire	898 l/min	905 l/min	922 l/min	932 l/min
6 bar	CONSUMO ARIA Air Consumption Luftverbrauch Consumo aire	980 l/min	1040 l/min	928 l/min	942 l/min
	DISTANZA MASSIMA DI BATTITURA Max beating distance (stroke) Maximale Schlagdistanz Máxima distancia de golpeo	mm 140,0 inches 5,5”	mm 150,0 inches 6,0”	mm 150,0 inches 6,0”	mm 150,0 inches 6,0”
	DISTANZA CONSIGLIATA DI BATTITURA Recommended beating distance (stroke) Empfohlene Schlagdistanz Distancia aconsejada de golpeo	mm 70,0 inches 2,80”	mm 70,0 inches 2,80”	mm 70,0 inches 2,80”	mm 70,0 inches 2,80”
	PESO ESCLUSO ALLESTIMENTO Weight of hammer without beater Gewicht des Hammers ohne Schläger Peso del martillo sin buterola	Kg 22 Pounds 48,5	Kg 24 Pounds 53,0	Kg 24 Pounds 53,0	Kg 24 Pounds 53,0
	ATTACCO ALIMENTAZIONE ARIA Air inlet coupling Anschluss Luftzufuhr Acometida del aire	¾ gas	¾ gas	¾ gas	¾ gas

S-L 2000



RVC 70 / RVC 70-MBR / RVC 70-MBL

